

# PMU68W DC ONLINE MINI UPS



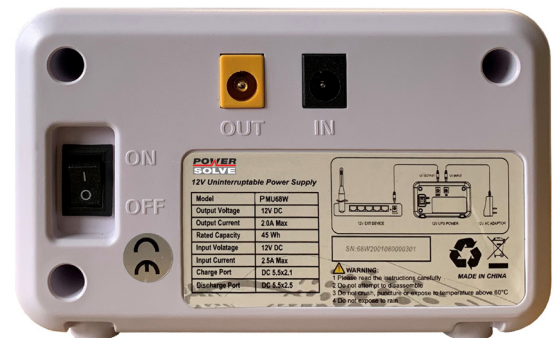
The PMU68W is a DC-DC Uninterruptible Power Supply powered from a standard 30W AC-DC Power Adaptor to offer back up power in the event of AC power outages.

Applications include wifi router, modem, CCTV camera, IP camera, monitors, vending machines, medical CPAP, fingerprint, facial recognition access control device, door access, fire safety systems, security monitoring systems, personal communication systems, radio, smart cards etc.



## Features:-

- 45Wh approved lithium ion batteries
- 12V DC input and 12V DC 2A output
- Can be used with standard AC-DC 30W power adaptor
- Over charge and over discharge battery protection
- LED status indication
- On/Off power switch
- Desk Top or Wall mounting
- Compact white flame retardant ABS plastic case

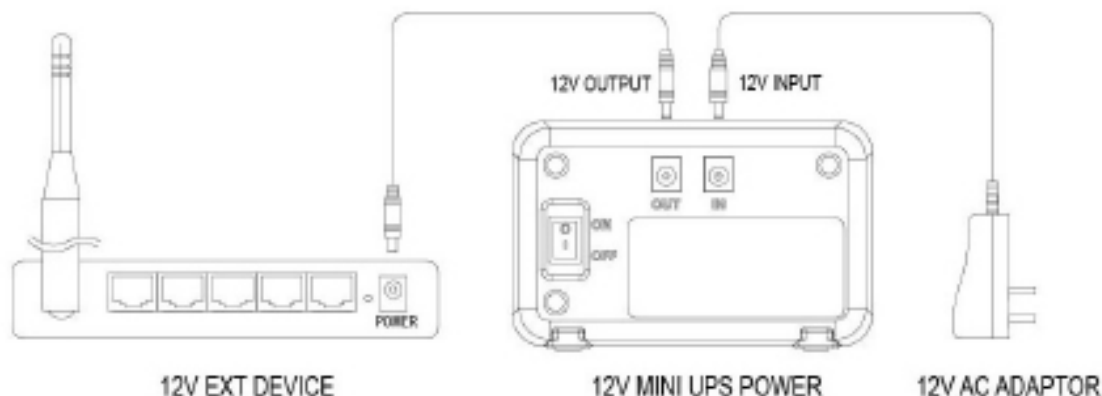


Specification	
Model	PMU68W
DC Input Voltage	12V $\pm$ 5%
DC Input Current	220mA + DC output current
Charging Current	220mA $\pm$ 10%
Charging Transfer Efficiency	$\geq$ 75%
No Load Voltage Range	12.1V $\pm$ 5%
DC Output Current	2A
Output Voltage Range with load	12V -10%
Discharging Transfer Efficiency	$\geq$ 85%
Over-discharge Protection (Battery)	5.5V, over-discharge release 6V
Over-charge Protection (Battery)	8.5V, over-charge release 8.4V
Battery Capacity	45Wh, 6 x 3.7V 2000mA lithium cells
DC Input Connector	5.5mm x 2.1mm power socket. 2.5mm adaptors available
DC Output Connector	5.5mm x 2.5mm power socket with 500mm lead terminating in 5.5mm x 2.1mm power plug. 2.5mm adaptors available
Back Up Time	Depending on output load, see discharge graph
Case Material	White ABS-FR anti flammable plastic
Case Weight & Dimensions	405 grams, 73H x 60D x 116.5mm
Charge Method	12V 2.5A AC-DC power adaptor

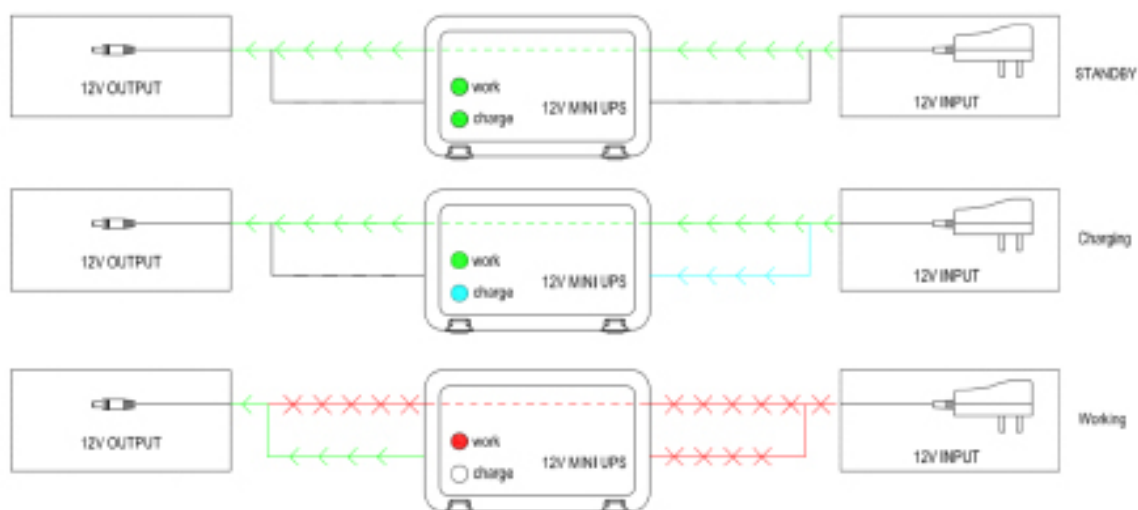
# PMU68W DC ONLINE MINI UPS



## How to use the Mini DC UPS?



## Function Diagram:



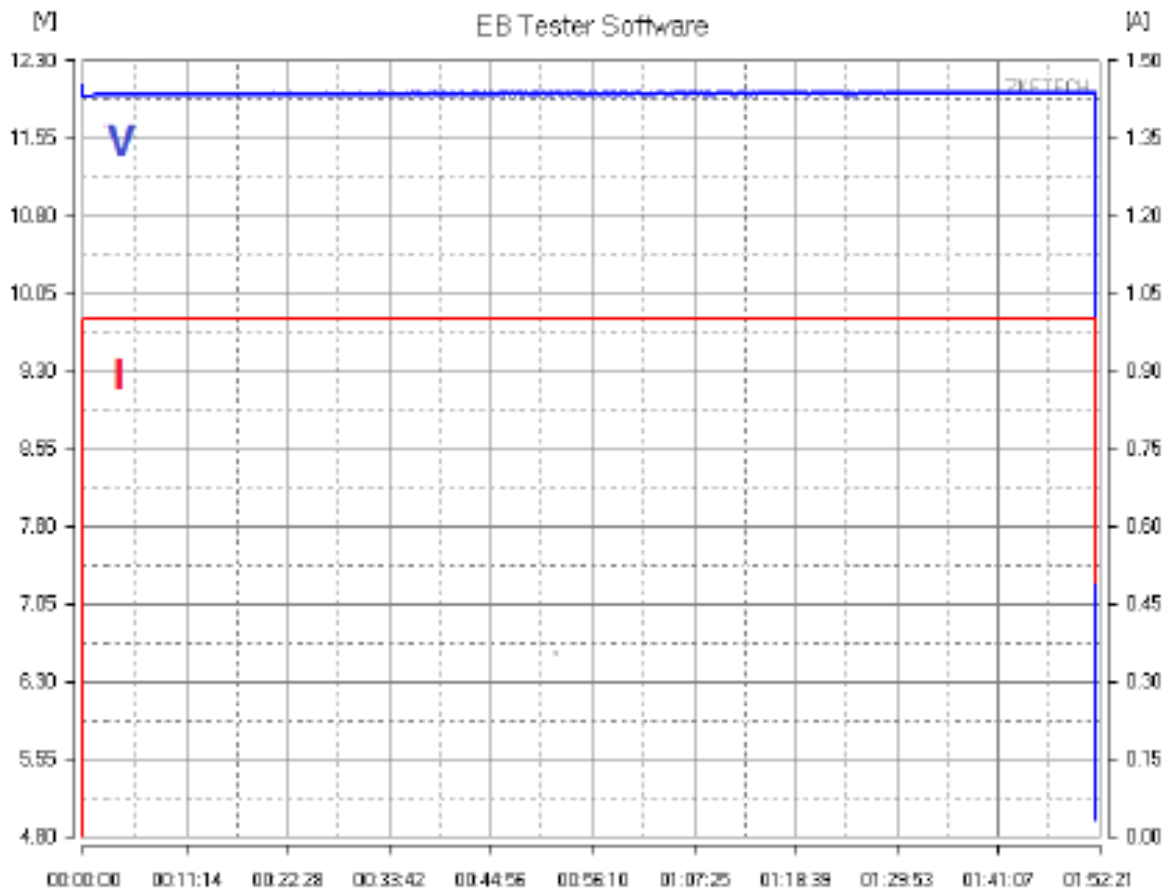
## Indicator Light:

### LED STATUS INDICATOR

Condition			LED	
Switch On	Input	Output	Charge	Work
Full charged	With	with	Green	Green
Full charged	Without	With	NO	Red
Charging	With	with	Blue	Green
Full charged	Without	without	NO	Red
Low	With	with	NO	NO

Remark: Automatically pass to the battery discharge while there is without input voltage or input voltage is under 11V

## Discharge curve diagram (1A current discharger):



## AC-DC Power Adaptor

The Powersolve Model KPS40-12 12V 3A AC-DC adaptor with interchangeable AC heads is a suitable front end power supply for use with the PMU68 DC-DC UPS

Full specification can be found on the following link:-

<https://powersolve.co.uk/wp-content/uploads/2018/08/KPS40-Series.pdf>

